

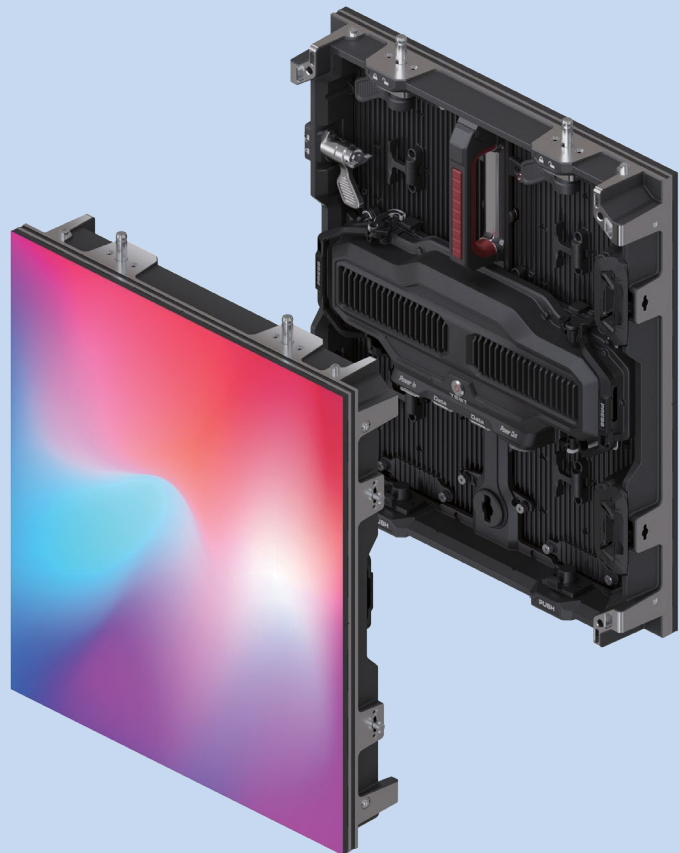



THE LEADER AND CREATOR OF FLIP CHIP DISPLAY PANEL

X Series

OUTDOOR FINE PITCH COMMON CATHODE LED DISPLAY

X series is an ultra-high-definition product independently developed for the outdoor LED display market, which is mainly used for: commercial plazas, city lighting, public welfare advertisements, smart cities, museums, creative centers, and other display applications in a variety of control areas.



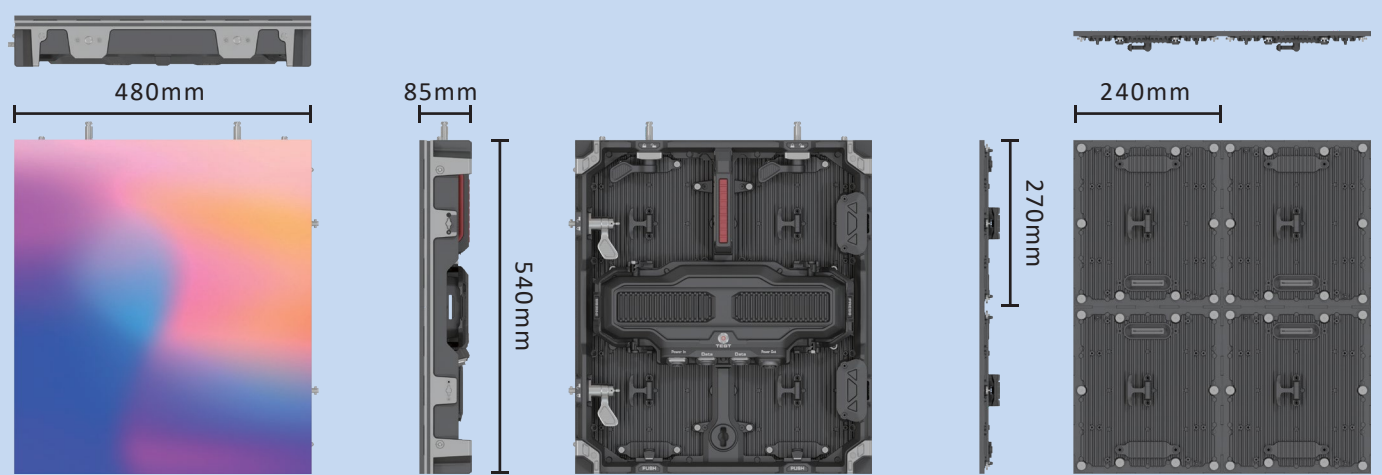
-  **High Protection**
-  **High Precision**
-  **Effective**
-  **Crash Proof**
-  **Water Proof**
-  **Eye Proof**
-  **Humidity Proof**
-  **Dust Proof**
-  **Shock Proof**



High Precision:

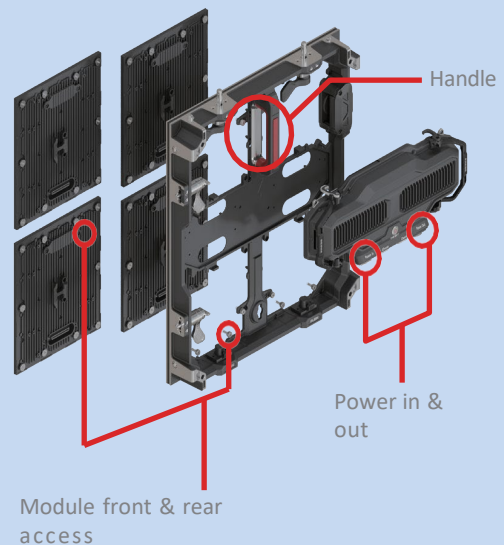
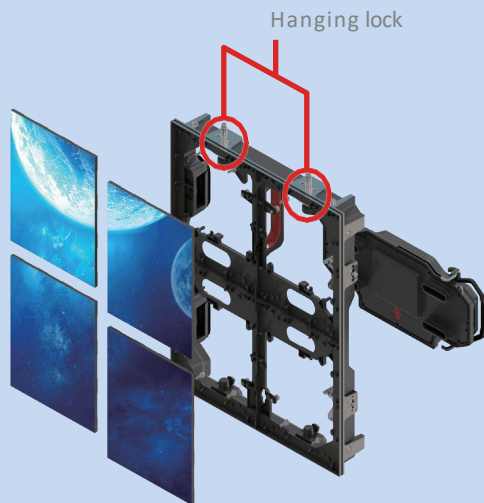
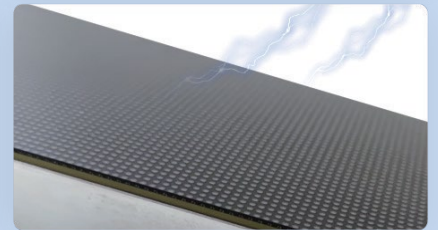
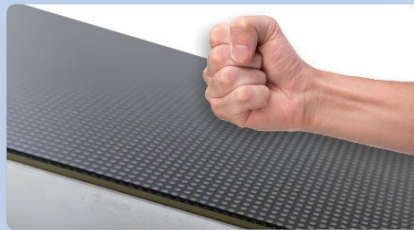
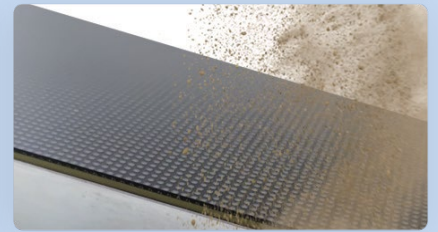
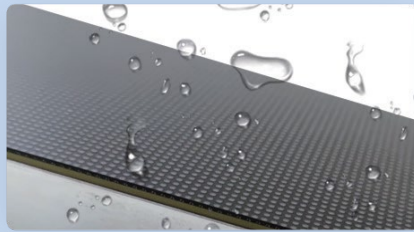
Currently the industry's smallest pitch outdoor display series, brightness can reach 4000nits + and support front maintenance.

Product Display



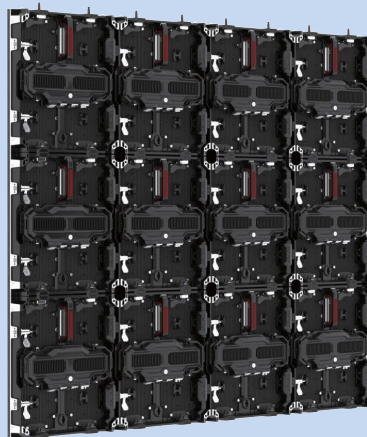
High Protection:

Fully sealed technology processing enables surface water resistance, dust resistance, impact resistance, and anti-static properties.



Effective:

High-order control system, support chroma/brightness/full grayscale/thermal correction, ultra-high refresh, wide color gamut, HDR high-dynamic picture display, 16bit high-gray low-brightness.



X Series Specification

80 80

X SERIES

| | X1.2 | X1.5 | X1.8 | X2.5 |
|--------------------------------------------|---------------------------|---------------------------|---------------------------|---------------------------|
| PHYSICAL PARAMETERS | | | | |
| Pixel Pitch (mm) | P1.25 | P1.5 | P1.875 | P2.5 |
| Cabinet Resolution (W×H) | 384×432 | 320×360 | 256×288 | 192×216 |
| Cabinet Size (mm)(W×H×D) | 480 × 540 ×85 | 480 × 540 ×85 | 480 × 540 ×85 | 480 × 540 ×85 |
| Overall Weight (kg) | 9 | 9 | 9 | 9 |
| OPTICAL PARAMETERS | | | | |
| Pixel Density (dots/m ²) | 640,000 | 444,444 | 284,444 | 160,000 |
| Frame Rate (Hz) | 50/60 | 50/60 | 50/60 | 50/60 |
| Refresh Rate (Hz) | ≥3840 | ≥3840 | ≥3840 | ≥3840 |
| Brightness (nits) | 4000 | 4000 | 4000 | 4000 |
| Gray Scale (bit) | 14~16 | 14~16 | 14~16 | 14~16 |
| Color Temp (K) | 2000~12,000K | 2000~12,000K | 2000~12,000K | 2000~12,000K |
| ELECTRICAL PARAMETERS | | | | |
| Max. Power Consumption (W/m ²) | ≤720 | ≤720 | ≤720 | ≤720 |
| Avg. Power Consumption (W/m ²) | ≤220 | ≤220 | ≤220 | ≤220 |
| Working Voltage (V) | AC: 110V~240V, 50~60Hz | AC: 110V~240V, 50~60Hz | AC: 110V~240V, 50~60Hz | AC: 110V~240V, 50~60Hz |
| ADDITIONAL FEATURES | | | | |
| Lifetime (Hrs) | 100,000 | 100,000 | 100,000 | 100,000 |
| Operation Humidity (RH) | 10%~90% | 10%~90% | 10%~90% | 10%~90% |
| Operation Temp (RH) | -20~+50 | -20~+50 | -20~+50 | -20~+50 |
| IP Level | IP65 | IP65 | IP65 | IP65 |

The parameter index will change according to the specific situation of the project (the product shall be subjected to the submitted contract specification)

